



ARCHEAN TECHNOLOGIES

1899 avenue d'Italie - 82000 MONTAUBAN FRANCE
Tel : + 33 (0) 5 63 93 50 00 - Fax : + 33 (0) 5 63 03 72 99

Omnicare

Emergency Voice Communications

BS5588 Part 11 & BS5839

MADE IN 
5 years warranty

- OmniCare is an addressable voice communication system that allows disabled refuge, fire telephones, emergency/steward telephones and disabled toilet alarms to be connected to one master control panel.
- Our disabled refuge have been made to help the physical impaired people in the refuge areas. The person in need of assistance is helped to the closest refuge area and awaits safe evacuation. They provide the capacity to communicate hands free with the firemen. They are adapted to several handicaps (mobile, visual, auditory).
- The architecture is based on a master panel which monitors all the system and it can be combined with slaves panel. The connection may be realized in a loop (Omnicare) or in radial (Care2) (NB : Omnicare and Care2 systems are not compatible).
- OmniCare has been designed and built to meet BS9999:2008, BS5839-9:2011 and BS8300:2009 (for the disabled toilet alarm)



Master panels BVOCX

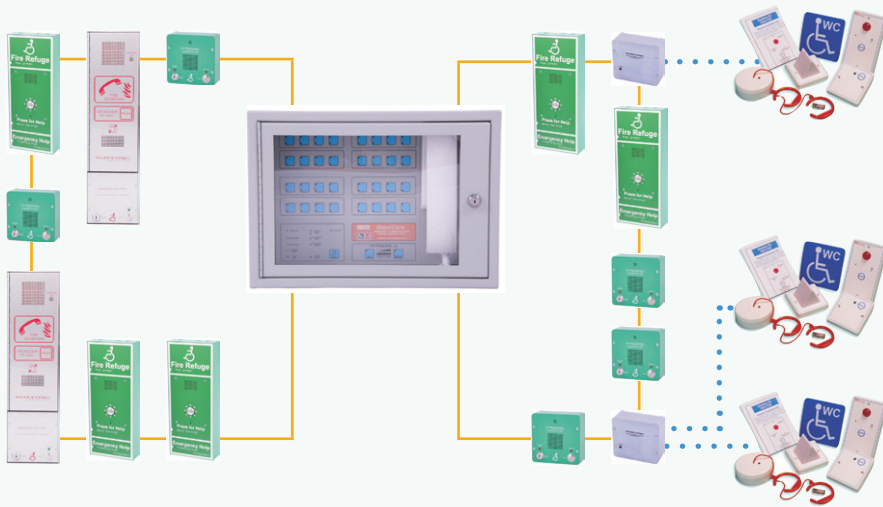
- Audio digitale
- Illimited number of master panels can be connected on the system
- Slaves panels can communicate with all the disabled refuges or only with the selected disabled refuges
- Speech steered (disabled refuge remotes) and full duplex speech (fire telephones and emergency telephones).
- System fully monitored
- Battery backed for use in the event of power failure : 3h of complete communication after 4 hours of electrical cutout
- Indicators for: in use/occupied, call, fault, power, charger and speech volume.
- Loop installation enables a permanent operating
- Up to 200m cable run between remote units and master control panel as standard.
- A repeater unit (BVFREPEM) must be used if distance between remotes exceeds 200m.
- Standard box in ABS or Optional stainless steel finish(BVOCXMS)

	BVOC4 to BVOC32-way	BVOC48 to BVOC64-way	BVOC80 to BVOC128-way
Power supply	230V AC		
Power consumption (VA)	10VA + 1VA per remote handset fitted		
Humidity range	95% non-condensing		
Operating temperature	-10°C à +30°C		
Indicators	In use, call, fault, power, charge and speech volume		
Remote signaling of fault	Volt-free contact, closing/opening (set on commissioning)		
Dimensions mm	410 x 290 x 200	410 x 455 x 200	410 x 777 x 200
Bezel dimensions mm (radius)	461 x 340 (25)	461 x 506 (25)	461 x 827 (25)
Bezel cutout mm	420 x 300	420 x 465	420 x 787
Mounting position	Vertical centre of controls should be at height of 1,4 - 1,5 m (BS5839-9)		

Omnicare

Emergency Voice Communications

TYPICAL SYSTEM AND NETWORKING SOLUTIONS:



Typical system - placing any type of remote on a single loop.

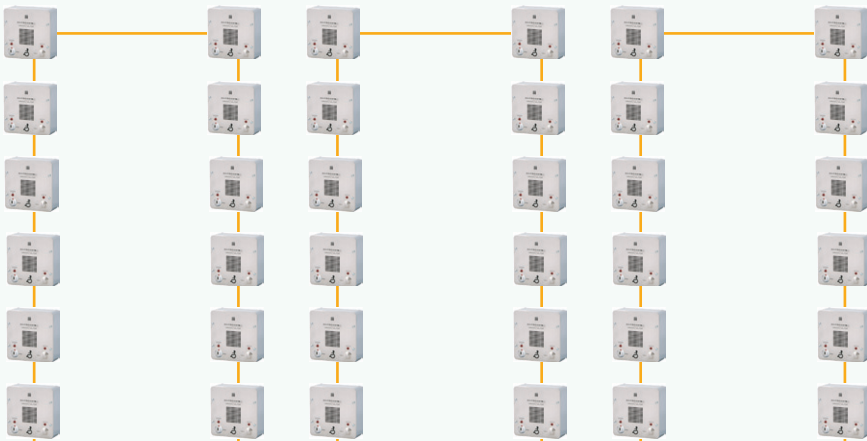
Typically 20-30 remotes per single loop.

Disabled toilet alarms connected to OmniCare system via a repeater unit (BVFREPEM).

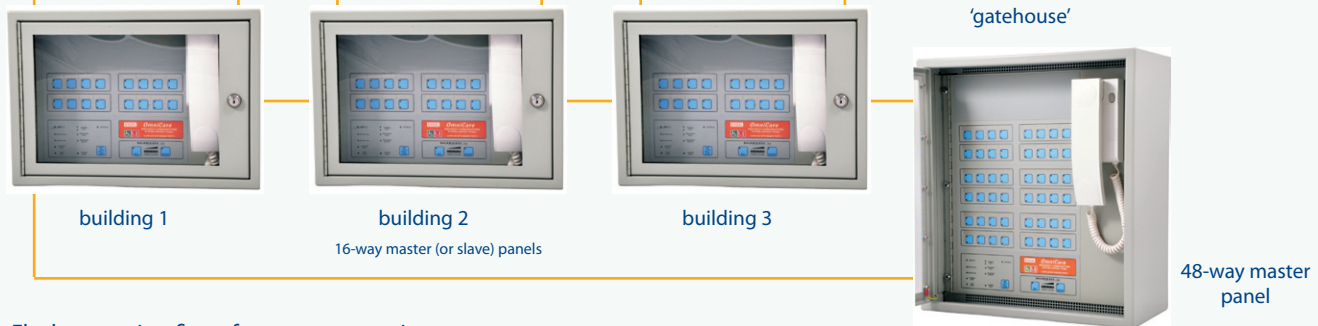
Any number of disabled toilet alarms can be connected per repeater, however, they will show as one call point on the master control panel.

KEY:

- Enhanced 4-core fire rated cable.
- 4-core security cable (not fire rated).



Typical network system, providing both local control or complete system control from 'gatehouse' master panel.



Flush mounting fire refuge emergency intercoms :



Photos & informations for commercial use only - we reserve the right to change without prior notice

Disabled refuge with resetting, braille, with or without beacon



	Disabled refuge with reset (DRS)	Advanced disabled refuge	Fire telephone	Emergency / steward telephone	Combined DRS and fire telephone
Product code - BVOC...	ECPG/ECPS	AS/AF	F/FB/FL/FLB/FS/FSL	ET/ETB/ETL/ETLB	C/CB/CL/CLB/CSP/CSL
Power supply	12 - 40 V DC self powered from ring circuit				
Power consumption	30 mA @ 35 V				35 mA @ 35 V
Weight	1 kg	1 kg	4 kg	4 kg	4.5 kg
Humidity range	95% non-condensing				
Operating temperature	-10°C to +40°C				
Indicators	System healthy, status	System healthy, system activated, in use	System healthy	System healthy	System healthy, call status
Finish	Green or stainless steel	Green with Braille & tactile / luminescent text with induction loop	Red or stainless steel with induction loop	Green with induction loop	Red or stainless steel with induction loop
Dimensions mm	134 x 134 x 56	encas.: 178 x 440 x 3 surface: 180x440x64	130 x 350 x 100	130 x 350 x 100	130 x 480 x 100
Dimensions Bezel mm (radius)	154 x 154 x (10)		170 x 390 x (20)	170 x 390 x (20)	170 x 520
Cutout Bezel mm	136 x 136		138 x 358	138 x 358	138 x 488
Flush mount cutout mm		133 x 235 x 65			
Knockouts / cable entry points	7 (20 mm & 26 mm)	20 mm & 25 mm	20 mm & 25 mm	20 mm & 25 mm	20 mm & 25 mm
Mounting position	Remotes should be placed at height of 1,3 - 1,4 m, OR in refuge areas at height of 0,9-1,2 m				

AS : surface mountable - AF : flush mountable - P : push door - L : locking door - R : red - G : green - S: stainless steel - B : beacon

Flush mountable box

Poduct code and description	Bezel	Dimensions
BVOCEPG Disabled refuge remote standard green	BVCRMGRN	154 x 154 mm
BVOCECPS Disabled refuge remote standard stainless steel	BVCRMSS	154 x 154 mm
BVOCECP Disabled refuge remote standard red	BVCRMRED	154 x 154 mm
BVOCF/CFL Fire telephone red with push or locking door	BVFHBEZ	170 x 390 x 20 mm
BVOCF/SL Fire telephone stainless steel with push or locking door	BVFHBEZSS	170 x 390 x 20 mm
BVOCET/ETL Emergency / Steward telephone push or locking door, green	BVOCETBZ	170 x 390 x 20 mm
BVOCC/CL Fire telephone and combined fire telephone / disabled refuge red with push or locking door	BVOCFBR	170 x 520 mm
BVOCET / CCSL Fire telephone and combined fire telephone / disabled refuge stainless stell with push or locking door	BVOCFBS	170 x 520 mm